

All pictures shown are for illustrative purposes only.  
Actual product may vary due to product enhancement.

## IDENTIFICATION TAGS

Contact **Titan Flow Control, Inc.** for any of your identification needs. Two sizes of Standard Stainless Steel Tags (as illustrated below) are available for easy ordering, but Titan can make tags in a variety of sizes and specifications.

**Titan Flow Control, Inc.** has the capability to create identification tags for all your marking and labeling needs.

### Make An Impression

High quality tags look professional. They are available in a wide variety of sizes, shapes, and materials. Titan FCI can even add your company's logo and information! (Graphic design charges may apply.)

### Conveniently Identify Products

Tags can be marked with product numbers, dates, batch numbers, logos, etc and then attached to the product before its shipped to you for easy identification

### Simplify and Organize

Titan can mark small parts, tools, keys, and more so you can stay organized.



**Great for Identifying  
Check Valves and  
other products**

**Organize and Track  
Small Items or Parts**

**Leave a Lasting,  
Professional  
Impression**

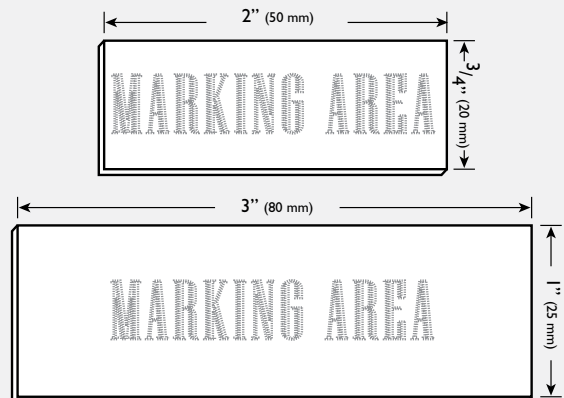
### Standard Stainless Steel Tags

#### Two Standard Sizes Available:

2" x 3/4" (50 mm x 20 mm)

3" x 1" (80 mm x 25 mm)

Other sizes and shapes are available. Contact factory.



#### Specifications

Maximum marking area:  
4" x 4" (100 x 100 mm)  
Tag height/thickness range:  
0.02" To 12" (0.5 To 300 mm)  
Character range:  
0.04" To 3.15"  
(0.5 To 80 mm at intervals  
of 0.1 mm)

#### Capabilities

Markings on various materials  
(Treated and untreated metal, plastic, wood, and more)  
Numerous shapes and sizes of tags  
Logo design (Graphic design fees may apply)  
Dates, times, and batch numbering capabilities  
Linear, angular, and circular markings  
Special markings such as reversed, mirrored, and reflected

Titan FCI makes every effort to ensure the information presented on our literature accurately reflects exact product specifications. However, as product changes occur, there may be short-term differences between actual product specifications and the information contained within our literature. Titan FCI reserves the right to make design and specification changes to improve our products without prior notification. Some options may not be available on all types of identification tags.

Titan FCI's fabricated products are made to each customer's unique specifications. Dimensions, materials, and all other product details referenced in this literature are general in nature. Some options may not be available in all sizes and/or models. Titan FCI reserves the right to make design and specification changes to improve the products without prior notification. **For exact product specifications, please consult the Titan FCI factory and request certified engineering drawings.**

**TITAN**

TITAN FLOW CONTROL, INC

Tel: 910-735-0000 • Fax: 910-738-3848 • titan@titanfci.com  
290 Corporate Drive • PO Box 7408 • Lumberton, NC 28358

[www.titanfci.com](http://www.titanfci.com)