

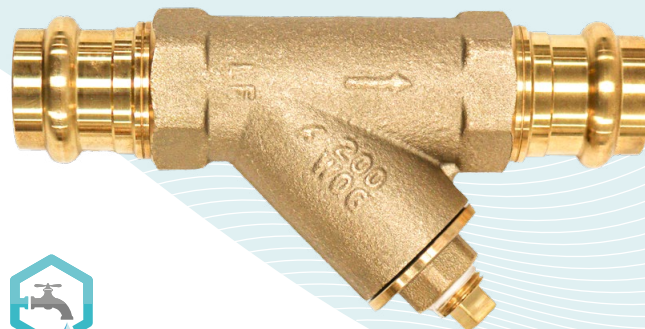


TITAN FLOW CONTROL, INC.

"Y" (WYE) STRAINER ♦ PRESS-CONNECT ENDS

NAVAL BRASS ♦ 200 WOG

MODELS: YS 57-NB



POTABLE WATER

FEATURES

SIZE RANGE : 1/2" ~ 2"

◇ CERTIFICATIONS

ALL TITAN PRESS-FIT PRODUCTS ARE TESTED AND CERTIFIED PER NSF/ANSI 61 DRINKING WATER SYSTEM COMPONENTS - HEALTH EFFECTS AND NSF/ANSI 372 DRINKING WATER SYSTEM COMPONENTS - LEAD CONTENT

◇ PRESS-CONNECT END DESIGN

PRESS FITTING IS A METHOD OF CONNECTING PIPES AND FITTINGS WITHOUT WELDING, THREADING, OR SOLDERING. PRESS FIT WORK BY USING A SPECIAL TOOL THAT APPLIES PRESSURE TO THE FITTING AND THE PIPE WITH A COMPRESSING SEALING ELEMENT THAT CREATES A WATER TIGHT AND GAS TIGHT CONNECTION. PRESS FIT CONNECTIONS ARE DESIGNED FOR INSTALLATION ON ASTM B88 TYPES K, L, AND M HARD DRAWN COPPER TUBING. COILED (ANNEALED) SOFT COPPER TUBING IS NOT RECOMMENDED. TITAN'S PRESS-FIT PRODUCTS ARE COMPATIBLE WITH COMMERCIALY AVAILABLE VUS PROFILE JAWS.

◇ LEAK DETECTION O-RINGS

LEAK-BEFORE-PRESS O-RINGS CREATE LEAK PATHS MAKING IT EASIER TO DETECT UNPRESSED JOINTS.

TECHNICAL

PRESSURE/ TEMPERATURE RATING
Size : 1/2" ~ 2"

WOG (Non-shock): 200 PSI @ 100 °F

MAX SERVICE TEMPERATURE

0 ~ 250 °F

- NSF/ANSI 61
- NSF/ANSI 372

APPLICATIONS

GENERAL APPLICATION: Y-STRAINERS ARE INSTALLED IN A PIPING SYSTEM TO REMOVE UNWANTED DEBRIS FROM THE PIPELINE, PROTECTING EXPENSIVE EQUIPMENT DOWNSTREAM SUCH AS PUMPS, METERS, SPRAY NOZZLES, COMPRESSORS, AND TURBINES. THEY CAN BE PLACED IN A HORIZONTAL OR VERTICAL PIPELINE AS LONG AS THE SCREEN IS IN A DOWNWARD POSITION. THIS PRODUCT IS SUITABLE FOR POTABLE WATER AND FOOD CONTACT APPLICATIONS. NOT RECOMMENDED FOR STEAM APPLICATIONS

SERVICING: THE STRAINING ELEMENT NEEDS REGULAR CLEANING TO PREVENT DEBRIS BUILD UP. IT IS NOT ADVISABLE TO ALLOW THE DIFFERENTIAL PRESSURE TO INCREASE BY 20 PSI. ALTHOUGH CLEANING NORMALLY REQUIRES THE REMOVAL OF THE STRAINING ELEMENT, INSTALLING AND USING A TITAN BLOW-OFF DRAIN VALVE CAN INCREASE THE TIME BETWEEN CLEANINGS.

The above data represents common market and service applications. No representation or guarantee, expressed or implied, is given due to the numerous variations of concentrations, temperatures and flow conditions that may occur during actual service.

TITAN® FLOW CONTROL, INC.
YOUR PIPELINE TO THE FUTURE!

Tel: 910-735-0000 ♦ Fax: 910-738-3848 ♦ titan@titanfci.com ♦ www.titanfci.com
290 Corporate Drive ♦ PO Box 7408 ♦ Lumberton, NC 28358



TITAN® FLOW CONTROL, Inc.

290 Corporate Drive E-mail: titan@titanfci.com
 Lumberton, NC 28358 Web: www.titanfci.com
 Tel: 910.735.0000 Fax: 910.738.3848

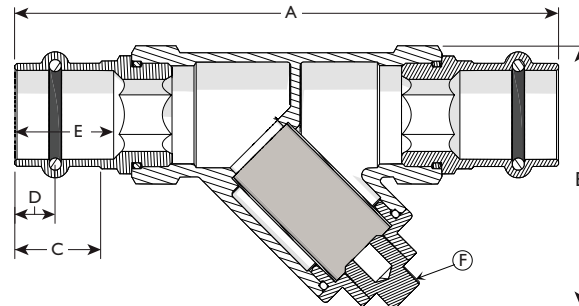
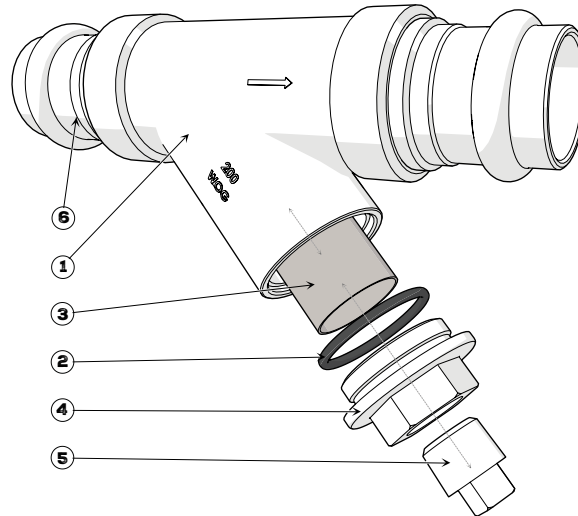
WYE STRAINER
YS 57NB - NAVAL BRASS
Press-connect

WOG
200

BILL OF MATERIALS ⁽¹⁾

No.	PART	YS 57NB
1	Body	Brass - Copper Alloy (Naval Brass) UNS C46400
2	O-Ring ⁽²⁾	BUNA
3	Straining Element ⁽²⁾	Stainless Steel 304 SS
4	Cover/Cap	Brass - Copper Alloy (Naval Brass) UNS C46400
5	NPT Plug (Blow-off)	Brass - Copper Alloy (Naval Brass) UNS C46400
6	Press-Fit Adapter	Brass - Copper Alloy (Naval Brass) UNS C46400 w/ EPDM seals

1. Bill of Materials represents standard materials. Equivalent or better materials may be substituted at the manufacturer's discretion.
2. Denotes recommended spare parts.



STANDARD SCREEN SELECTION

Size	Liquid	Open Area
1/2" ~ 2"	20 Mesh only	51.8%

DIMENSIONS AND PERFORMANCE DATA ⁽¹⁾

SIZE	in	1/2	3/4	1	1 1/4	1 1/2	2
	mm	15	20	25	32	40	50
A DIMENSION FACE TO FACE	in	4.45	5.31	6.30	6.57	8.00	9.37
	mm	113	135	160	167	203	238
B DIMENSION OVERALL TOP TO BOTTOM	in	2.13	2.50	2.95	3.75	4.13	5.06
	mm	54	64	75	95	105	129
C DIMENSION	in	0.67	0.83	0.87	0.87	1.02	1.26
	mm	17	21	22	22	26	32
D DIMENSION	in	0.31	0.39	0.39	0.39	0.49	0.57
	mm	8	10	10	10	12.5	14.5
E DIMENSION Insertion	in	0.83	0.94	1.06	1.10	1.38	1.61
	mm	21	24	27	28	35	41
F NPT Plug BLOW-OFF	in	1/4	1/4	1/2	1/2	3/4	1
	mm	8	8	15	15	20	25
APPROXIMATE ASSEMBLED WEIGHT	lb	0.53	0.86	1.46	2.07	2.95	4.67
	kg	0.021	0.034	0.057	0.081	0.116	0.184

1. Dimensions and weights are for reference only. When required, request certified drawings.
2. Face to face values have a tolerance of ±0.06 in (±2.0 mm).

PRESSURE - TEMPERATURE RATING

UNS C46400	1/2" ~ 2"
WOG (Non-shock):	200 PSI @ 100° F

REFERENCED STANDARDS & CODES

STANDARD	DESCRIPTION
ASME B16.51	Standard Specification for copper and copper alloy press-connect pressure fittings
NSF/ANSI 61	Drinking water systems components - Health Effects
NSF/ANSI 372	Drinking water systems components - Lead Content

As †Titan product changes occur, there may be short-term differences between actual product specifications and the information contained within our literature. †Titan FCI reserves the right to make design and specification changes to improve our products without prior notification. When required, request certified drawings. †TITAN is a registered trademark of Titan Flow Control Incorporated.