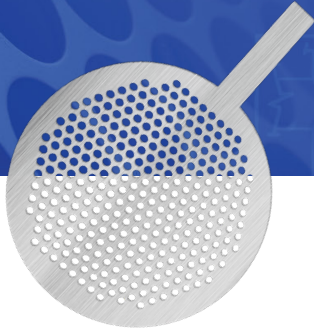


# RESTRICTION ORIFICE PLATES

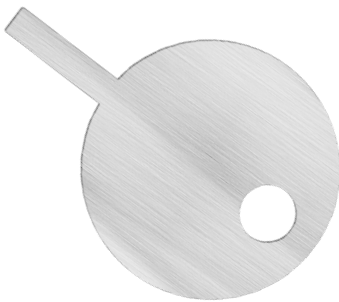
**Standard Bore**



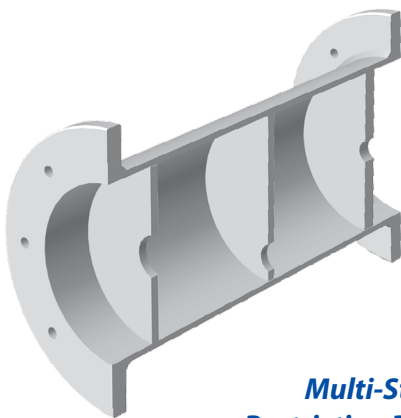
**Multi-Hole Bore**



**Eccentric Bore**



**Multi-Stage Restriction Plate Assembly**



A Restriction Orifice Plate is a device used to restrict flow. It reduces flow and pressure from the upstream side to the downstream side. This is beneficial in order to reduce noise and protect downstream equipment.

Model	Material
RP 21 CS	Carbon Steel
RP 21 SS	Stainless Steel

## Materials

Standard materials for orifice plates are stainless steel and carbon steel. Contact factory for additional materials such as ceramic, fiberglass reinforced plastic, duplex stainless steel, etc.

## Bore Diameter

Sizing of the restriction orifice is specified by the customer in order to meet specific application requirements. For reference, see below for common design options.

## Codes & Standards

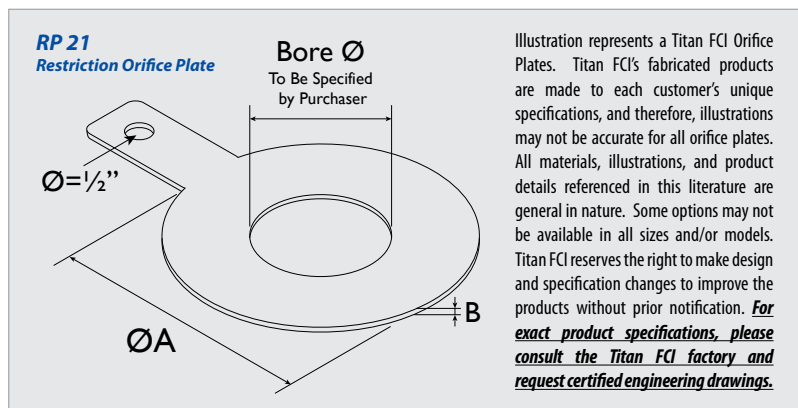
Currently, there are no corresponding codes or standards that address Restriction Orifice Plates.

## Handles

Orifice plates can be ordered with or without a handle. Handles are generally 1" wide by 5" long.

## Additional Design Options

Restriction Orifice plates can have a variety of specifications. Bores can be placed concentrically or eccentrically with the pipe and can have a full or segmented opening.



All pictures shown are for illustrative purposes only. Actual product may vary due to product enhancement.



Tel: 910-735-0000 • Fax: 910-738-3848 • titan@titanfci.com  
290 Corporate Drive • PO Box 7408 • Lumberton, NC 28358

[www.titanfci.com](http://www.titanfci.com)