



TITAN FLOW CONTROL, INC.

DUPLEX STRAINER ♦ QUAD BALL TYPE ♦ THREE PIECE BODY

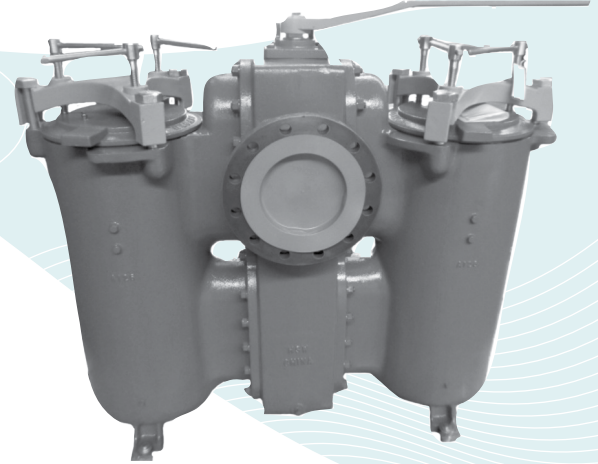
ASME CLASS 125 (CI) & 150 (CS & SS) ♦ FLANGED

MODELS: DS 695-CI
(Flanged - Cast Iron)

DS 696-CS
(Flanged - Carbon Steel)

DS 696-SS
(Flanged - Stainless Steel)

NEW
Quad-Ball
Design!



FEATURES

SIZE RANGE: 6" ~ 8"

TECHNICAL

- ♦ **UNIQUE QUAD-BALL DIVERSION SYSTEM**
REVOLUTIONARY FOUR BALL DESIGN THAT EFFICIENTLY DIVERTS THE PIPELINE FLOW FROM ONE CHAMBER TO THE OTHER. TEFLON SEATS ENSURE A POSITIVE SEAL AND HELP TO PREVENT SEEPAGE INTO THE CHAMBER THAT IS BEING CLEANED.
- ♦ **LOW OPERATING TORQUE**
THE TITAN[†] FCI DUPLEX STRAINER FEATURES A LOW TORQUE, EASY TO OPERATE HANDLE THAT DOES NOT REQUIRE ANY AUTOMATION. ADDITIONALLY, THE HANDLE'S POSITION CLEARLY INDICATES WHICH BASKET IS IN SERVICE AND WHICH BASKET CAN SAFELY BE REMOVED FOR CLEANING.
- ♦ **REDUCED MAINTENANCE**
THE QUAD BALL DESIGN ISOLATES EACH CHAMBER AND KEEPS THE SERVICING CHAMBER DRY DURING CLEANING. NO SPECIAL TOOLS ARE REQUIRED TO ACCESS AND REMOVE THE STRAINING ELEMENT FROM THE CHAMBER. COVER VENTS, DRAIN PLUGS, AND FOOT PADS ARE PROVIDED ON EACH CHAMBER.
- ♦ **NUMEROUS OTHER BENEFITS**
TITAN'S NEW DESIGN OFFERS COUNTLESS OTHER ADVANTAGES INCLUDING: NO INTERRUPTION IN SERVICE, COMPACT STRUCTURE, LONG SERVICE LIFE, AND LOW PRESSURE DROP.

PRESSURE/ TEMPERATURE RATING ⁽¹⁾
CAST IRON - A126 GR.B - CLASS 125

WOG (Non-shock): 200 PSI @ 150 °F

PRESSURE/ TEMPERATURE RATING ⁽¹⁾
CARBON STEEL- A216 GR.WCB - CLASS 150

WOG (Non-shock): 285 PSI @ 100 °F

PRESSURE/ TEMPERATURE RATING ⁽¹⁾
STAINLESS STEEL- A351 GR. CF8M - CLASS 150

WOG (Non-shock): 275 PSI @ 100 °F

1. The above listed temperatures are theoretical and may vary during actual operating conditions.
2. Max and min temperatures are for reference only. Prolonged use at these temperatures is not recommended for optimal service life.

APPLICATIONS

GENERAL APPLICATION: THE DUPLEX STRAINER IS A UNIQUE PRODUCT WITHIN THE PIPELINE INDUSTRY. LIKE OTHER BASKET STRAINERS, THE DUPLEX STRAINER PROTECTS EXPENSIVE DOWNSTREAM EQUIPMENT BY MECHANICALLY REMOVING SOLIDS FROM FLOWING FLUIDS VIA A PERFORATED, MESH, OR WEDGE WIRE STRAINING ELEMENT. HOWEVER, THE DUPLEX STRAINER IS DESIGNED WITH TWO BASKET CHAMBERS AND A FLOW DIVERTER SYSTEM THAT ALLOWS THE PIPELINE FLOW TO BE SWITCHED FROM ONE CHAMBER TO THE OTHER, COMPLETELY ISOLATING THE FLOW TO A SINGLE CHAMBER. THIS MAKES THE DUPLEX STRAINER IDEAL FOR NON-INTERRUPTIBLE APPLICATIONS THAT CANNOT BE SHUT DOWN DURING ROUTINE MAINTENANCE AND CLEANING OPERATIONS.

Ball-Type Duplex Strainers are not recommended for slurry and fibrous content applications.

The above data represents common market and service applications. No representation or guarantee, expressed or implied, is given due to the numerous variations of concentrations, temperatures and flow conditions that may occur during actual service.

TITAN[®] FLOW CONTROL, INC.
YOUR PIPELINE TO THE FUTURE!

Tel: 910-735-0000 ♦ Fax: 910-738-3848 ♦ titan@titanfci.com ♦ www.titanfci.com
290 Corporate Drive ♦ PO Box 7408 ♦ Lumberton, NC 28358



TITAN® FLOW CONTROL, Inc.

290 Corporate Drive
Lumberton, NC 28358
Tel: 910.735.0000

E-mail: titan@titanfci.com
Web: www.titanfci.com
Fax: 910.738.3848

DUPLEX BASKET STRAINER
Flanged Ends

DS 696-CS (Carbon Steel) • **DS 696-SS** (Stainless Steel)
DS 695-CI (Cast Iron)

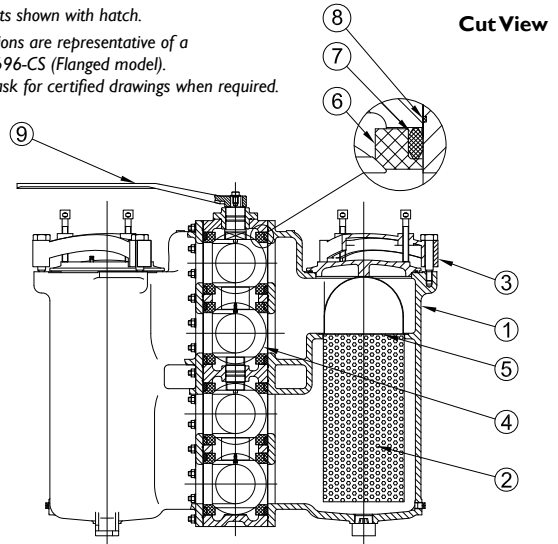
ASME Class
125 CI

ASME Class
150 CS & SS

BILL OF MATERIALS (1)

| No. | Part | DS 696-CS | DS 696-SS | DS 695-CI |
|-----|-----------------------|-----------------------------|----------------------------------|-----------------------------|
| 1 | Body | Carbon Steel A216 Gr.WCB | Stainless Steel A351 Gr. CF8M | Cast Iron AI26 Gr. B |
| 2 | Straining Element (3) | Stainless Steel | Stainless Steel | Stainless Steel |
| 3 | Cover | Carbon Steel A216 Gr.WCB | Stainless Steel A351 Gr. CF8M | Cast Iron AI26 Gr. B |
| 4 | Ball | Stainless Steel Type 304 | Stainless Steel Type 304 | Stainless Steel Type 304 |
| 5 | O-Ring | Buna-N | Viton | Buna-N |
| 6 | Seat | Teflon (PTFE) | Teflon (PTFE) | Teflon (PTFE) |
| 7 | Seal | Buna-N | Viton | Buna-N |
| 8 | O-Ring Body | Buna-N | Viton | Buna-N |
| 9 | Handle | Carbon Steel Zinc Coated | Carbon Steel Zinc Coated | Carbon Steel Zinc Coated |

Cut parts shown with hatch.
Illustrations are representative of a
8" DS696-CS (Flanged model).
Please ask for certified drawings when required.



1. Bill of Materials represents standard materials. Equivalent or better materials may be substituted at the manufacturer's discretion.
2. Aluminum Bronze units are also available.
3. Denotes recommended spare parts.

DIMENSIONS AND PERFORMANCE DATA (1)

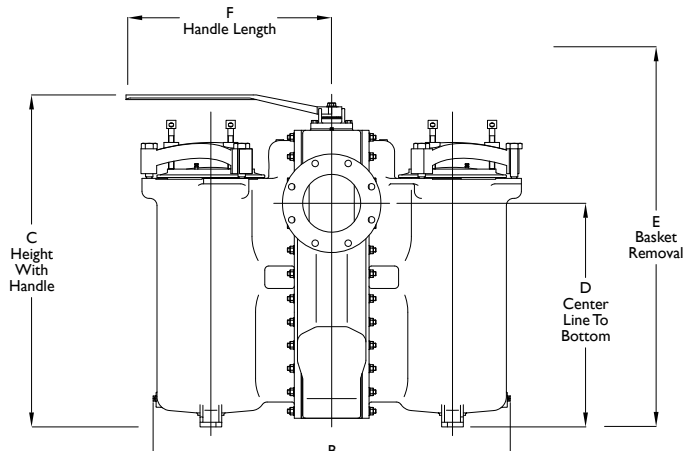
| SIZE (2) | in | 6" | 8" |
|---|----------------|-------|-------|
| | mm | 300 | 350 |
| AF DIMENSION FACE TO FACE | in | 22 | 26.75 |
| | mm | 559 | 680 |
| B DIMENSION UNIT WIDTH (INCLUDING PLUG) | in | 35.31 | 48.50 |
| | mm | 897 | 1368 |
| C DIMENSION HEIGHT WITH HANDLE | in | 35.63 | 45.12 |
| | mm | 905 | 1146 |
| D DIMENSION CENTER LINE TO BOTTOM | in | 24.45 | 30.39 |
| | mm | 621 | 772 |
| E DIMENSION BASKET REMOVAL | in | 48 | 62 |
| | mm | 1220 | 1575 |
| F DIMENSION HANDLE LENGTH | in | 21.65 | 29.13 |
| | mm | 550 | 740 |
| APPROXIMATE WEIGHT DS DS695/696, FLANGED | lb | 850 | 1600 |
| | kg | 386 | 726 |
| Flow Coefficient | C _v | 429 | 776 |

1. Dimensions, weights, and flow coefficients are provided for reference only. Always request certified drawings.

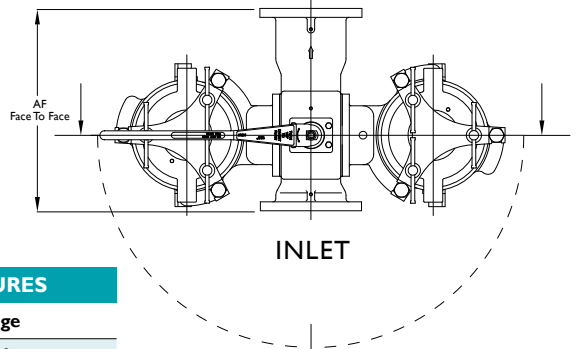
Larger, fabricated duplex strainers are available. Fabricated duplex strainers can be designed to meet any space or application requirements.

Quick-open covers are not recommended for steam or high temperature applications above 200°F.

Front View



Top View



PRESSURE - TEMPERATURE RATING

| ASME Class 125 | DS 695-CI |
|-----------------|--|
| WOG (Non-shock) | 200 PSI @ 150 °F |
| ASME Class 150 | DS 696-CS DS 696-SS |
| WOG (Non-shock) | 285 PSI @ 100 °F 275 PSI @ 100 °F |

MATERIAL TEMPERATURES

| Seat/Seal/Ball | Temp Range |
|----------------------|--------------|
| Buna-N (Seal) | -20 ~ 250 °F |
| Viton (Seal) | -40 ~ 400 °F |
| Stainless Steel Ball | Max 450 °F |

1. Max and min temperatures are for reference only. Prolonged use at these temperatures is not recommended for optimal service life.

REFERENCED STANDARDS & CODES

| Code | Description |
|-------------|---|
| ASME B16.5 | Pipe Flanges and Flanged Fittings |
| ASME B16.11 | Forged Steel Fittings, Socket-Welding, and Threaded |
| ASME B16.1 | Gray Iron Pipe Flanges and Flanged Fittings |

NPT FITTING SCHEDULE:

| Size | Gauge Taps | Bottom Drain | Side Drain | Cover Vent |
|------|------------|--------------|------------|------------|
| 6" | 1/8" | 1" | 1/2" | 1/4" |
| 8" | 1/8" | 2" | 1/2" | 1/4" |

SCREEN SELECTION GUIDELINES

| Size | Liquid | Open Area |
|---------|--------------|-----------|
| 6" ~ 8" | 1/8" (0.125) | 41% |

As †Titan product changes occur, there may be short-term differences between actual product specifications and the information contained within our literature. †Titan FCI reserves the right to make design and specification changes to improve our products without prior notification. When required, request certified drawings. †TITAN is a registered trademark of Titan Flow Control Incorporated.