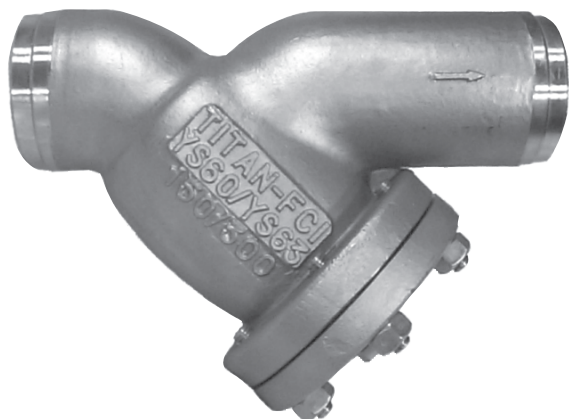


TITAN**WYE STRAINER • BUTT WELD ENDS****Class 300 lb • CARBON STEEL & STAINLESS STEEL**

3" YS 63-SS

Models: YS 63-CS

(Carbon Steel)

YS 63-SS

(Stainless Steel)

ANSI Class 300 lb**Size Range: 1/2" ~ 12"****WORKING PRESSURES & TEMPERATURE - NON-SHOCK**

ANSI 300 lb Class	YS 63-CS	YS 63-SS
WOG (Water, Oil, Gas)	740 PSI @ 100 °F	720 PSI @ 100 °F
Saturated Steam	300 PSI @ 420 °F	300 PSI @ 420 °F
MAX Liquid	400 PSI @ 800 °F	350 PSI @ 1000 °F

Features:

- SELF CLEANING TYPE
- PRECISION MACHINED SCREEN SEAT
- TAPPED NPT BLOW-OFF IN COVER
- DRAIN/BLOW-OFF CONNECTION FURNISHED WITH PLUG STANDARD
- HIGH TEMPERATURE COVER GASKET IS ENCAPSULATED IN MACHINED COUNTER BORES
- EPOXY PAINTING IS STANDARD ON ALL CARBON STEEL UNITS
- STRAINER HAS LARGE OPEN AREA - MINIMUM 2.5 TIMES LARGER THAN CORRESPONDING PIPE
- INLET AND OUTLET BOSSES ARE PROVIDED FOR GAUGE TAPPING
PLEASE SPECIFY GAUGE TAPPING WHEN REQUIRED
- STAINLESS STEEL STRAINERS EQUIPPED WITH STAINLESS STEEL STUDS AND NUTS
- BOLTED COVER FLANGE ALLOWS EASY REMOVAL OF SCREEN FOR CLEANING
ALSO HELPS TO ENSURE PROPER ALIGNMENT OF SCREEN DURING REASSEMBLY
- BUTT WELD DETAIL IS SCHEDULE 40 PER ANSI B16.25 - OTHER SCHEDULES AVAILABLE

*Ideal Design for Petrochemical and Industrial Applications
with Higher Pressure and Temperature Requirements*



TITAN FLOW CONTROL

290 Corporate Drive
Lumberton, NC 28358
Tel: 910-735-0000 Fax: 910-735-3848
titan@titanfci.com www.titanfci.com

WYE STRAINER

MODEL: YS 63-CS

MODEL: YS 63-SS

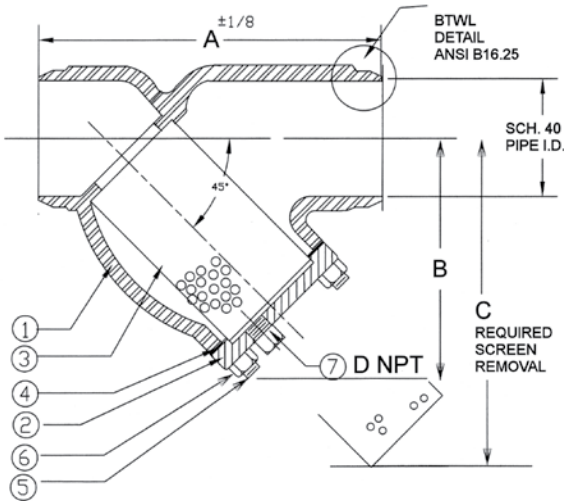
Butt Weld Ends

Butt Weld Ends

Carbon Steel

Stainless Steel

ANSI Class 300 lb



BILL OF MATERIALS

No.	PART	YS 63-CS	YS 63-SS
1	Body	ASTM A216 Gr. WCB	ASTM A351 Gr. CF8M
2	Cover	ASTM A216 Gr. WCB	ASTM A351 Gr. CF8M
3	Screen*	Type 304 Stainless Steel	
4	Gasket*	Type 304 Stainless Steel Spiral Wound	
5	Studs	ASTM A193 Gr. B7	ASTM A193 Gr. B8
6	Nuts	ASTM A194 Gr. 2H	ASTM A194 Gr. 8
7	Plug	ASTM A105	ASTM A182 Gr. F316

*Recommended spare parts

Notes:

- A wide range of optional gasket materials are available. Consult factory (C/F).
- Optional body materials are available. Consult factory, (C/F).
- Optional wire mesh and perforated screens are available. Consult factory (C/F).
- Cover gasket is encapsulated in machined recessed seat.

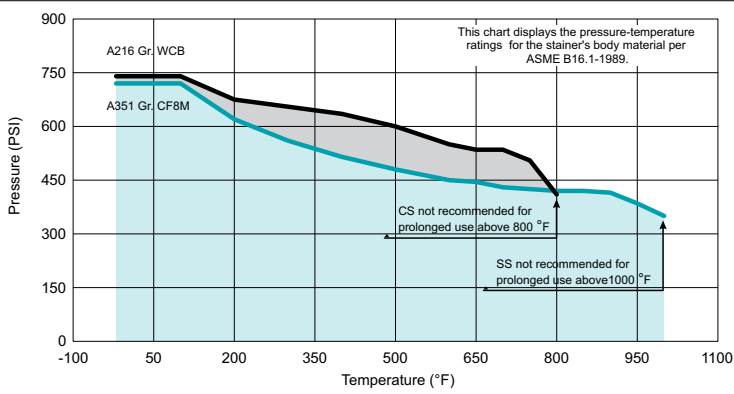
DIMENSIONS:

SIZE	in	1/2	3/4	1	1 1/4	1 1/2	2	2 1/2	3	4	5	6	8	10	12
	mm	15	20	25	32	40	50	65	80	100	125	150	200	250	300
A DIMENSION FACE TO FACE	in	C/F	C/F	7.875	C/F	C/F	8.625	10.625	12.0	14.5	16.375	19.313	23.375	27.375	32.25
	mm	C/F	C/F	200	C/F	C/F	219	270	305	368	416	491	594	695	813
B DIMENSION CTR. LINE - BOTTOM	in	C/F	C/F	5.5	C/F	C/F	5.25	6.5	7.0	8.25	11.25	13.5	15.75	19.0	22.25
	mm	C/F	C/F	140	C/F	C/F	133	165	178	210	286	343	400	483	565
C DIMENSION SCREEN REMOVAL	in	C/F	C/F	8.125	C/F	C/F	7.0	9.75	10.0	12.0	17.0	20.0	22.75	28.0	30.0
	mm	C/F	C/F	206	C/F	C/F	178	248	254	305	432	508	578	711	762
D DIMENSION NPT BLOW-OFF	in	C/F	C/F	1/2	C/F	C/F	1/2	1	1	1 1/2	2	2	2	2	2
	mm	C/F	C/F	15	C/F	C/F	15	25	25	40	50	50	50	50	50
ASSEMBLY WEIGHT	lb	C/F	C/F	6.0	C/F	C/F	12.0	20.5	28.0	51.0	73.5	126.0	214.0	268.0	480.0
	kg	C/F	C/F	2.7	C/F	C/F	5.4	9.3	12.7	23.1	33.3	57.1	97.1	121.6	217.7
Flow Coefficient	C _v	C/F	C/F	3.0	C/F	C/F	98	130	170	260	400	560	950	1600	2100

Dimensions and weights are for reference only. When required, request certified drawing.

C/F - Consult Factory for more information.

PRESSURE-TEMP: A216 Gr. WCB & A351 Cr. CF8M Class 300 LB



TESTING: Strainers are individually, hydrostatically tested at 1.5 x the 100 °F rating, rounded off to the next higher 25 PSI measurement.

WORKING PRESSURES & TEMPERATURE - NON-SHOCK

ANSI 300 lb Class	YS 63-CS	YS 63-SS
WOG (Water, Oil, Gas)	740 PSI @ 100 °F	720 PSI @ 100 °F
Saturated Steam	300 PSI @ 420 °F	300 PSI @ 420 °F
Max Liquid	400 PSI @ 800 °F	350 PSI @ 1000 °F

STANDARD SCREEN SELECTIONS

Sizes	Water Service	Open Area	Steam	Open Area
1/2" ~ 4"	.062 (1/16)	37%	.033(1/32)	28%
5" ~ 12"	.125 (1/8)	40%	.045 (3/64)	36%

A wide range of wire mesh and perforated screens are available. C/F.

APPLICABLE STANDARDS

Butt Weld Detail	ANSI B16.25
Pressure Temperature Rating	ANSI B16.34
Shell Wall Thickness	ANSI B16.34

Ordering Code: _____ Size: _____
 Customer/Project: _____
 Inq./P.O. No.: _____
 Titan Order No.: _____
 Certified By: _____ Date: _____

Engineering Specification Submittal

Titan FCI makes every effort to ensure the information presented on our literature accurately reflects exact product specifications. However, as changes occur, there may short-term differences between actual product specifications and the data on our literature. Titan FCI reserves the right to make specification changes to improve our products without prior notification.

WYE STRAINER • YS 63-CS & YS 63-SS

Size	Model Number	Description	Drawing No.